

FORENO.

TAPWARE MADE FOR NEW ZEALAND since 1969

LE TAP MINIMO II 1 Function Slide Shower LTM61R

Congratulations on your purchase of this high quality product from Foreno Tapware. Please read the following before installation and retain (along with your receipt) for future reference.

TECHNICAL SPECIFICATIONS

Suitable for All Pressures

Minimum Pressure = 35kPa

Maximum operating Pressure = 500kPa* (As per NZ Building Code AS/NZ 3500.1)

Maximum operating Temperature = 65 deg. Celsius

For domestic use only.

CONFIGURATION

Mains Pressure systems Install the flow regulator as shown in the diagram below.

Unequal Low Systems Install as supplied.

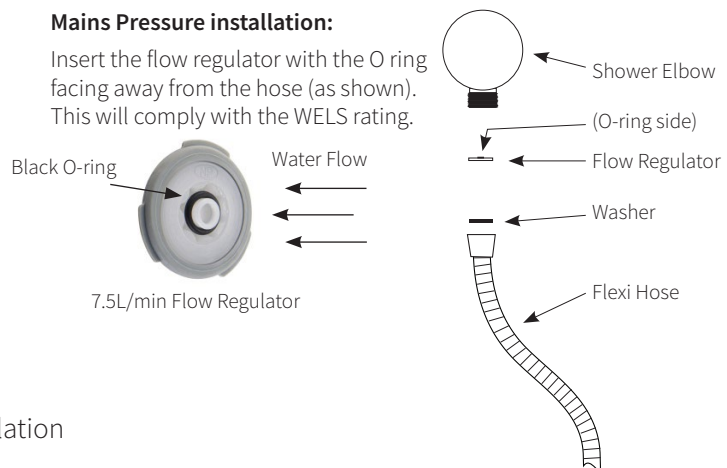
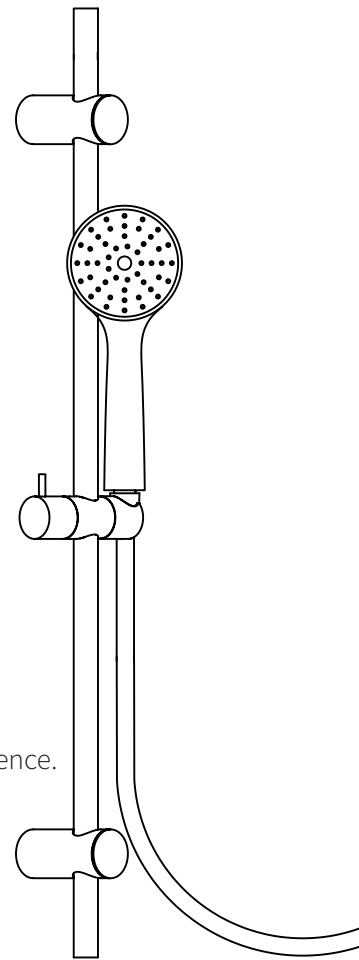
Equal Low systems Install as supplied.

CONTENTS

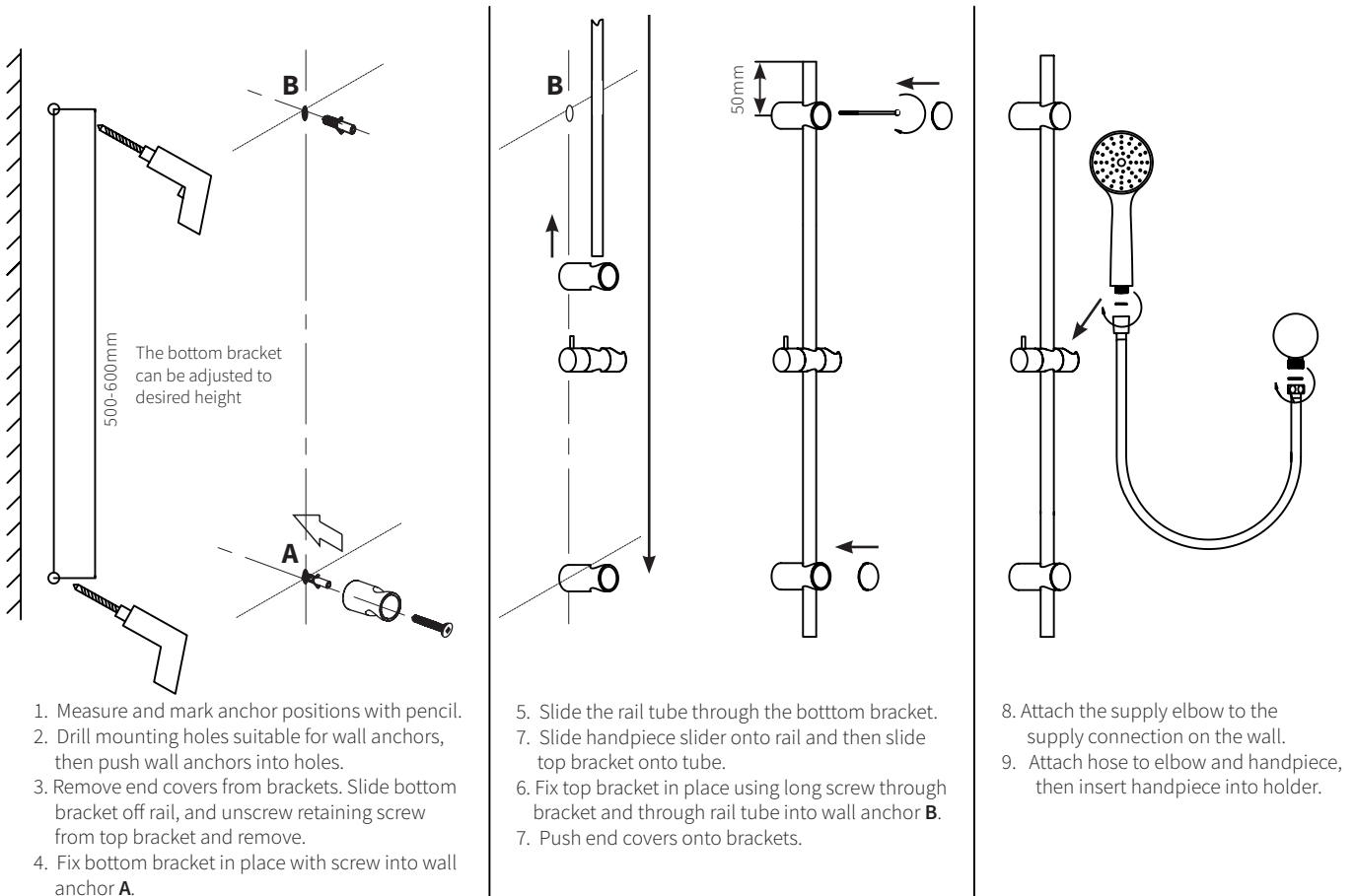
- Wall brackets and covers
- Fixing kit (wall anchors & screws)
- Silde Rail with adjuster/holder
- 1.5m supply hose
- Supply elbow
- Shower handpiece
- Flow regulator for Mains Pressure installation

INSTALLATION

***FOR PRESSURES EXCEEDING 500kPa INSTALL A PRESSURE REDUCING VALVE. THOROUGHLY FLUSH ALL PIPES TO ELIMINATE ANY REMAINING DIRT AND RESIDUE, AND INSTALL INLINE FILTERS. FAILURE TO DO SO MAY VOID THE WARRANTY.**



ATTACH PROOF OF PURCHASE HERE



WARRANTY

PLEASE CALL US BEFORE REMOVING OR UNDERTAKING ANY REPAIR WORK.

Please refer to our website for warranty information: www.foreno.co.nz/warranty

In the unlikely event that this product fails during its warranty period, phone our Customer Service team immediately on 0508 FORENO (0508 367 366) – as unauthorised removal of the product may void the warranty.

CARE AND MAINTENANCE

SHOULD NOT BE CLEANED WITH ACIDIC, CAUSTIC/ALKALINE, ABRASIVE OR CITRIC CLEANERS.

A soft, damp cloth is recommended for cleaning (Not a Micro fibre cloth). Mild soap solutions can also be used on occasion. See website for full care instructions: www.foreno.co.nz/tapware-care-instructions/