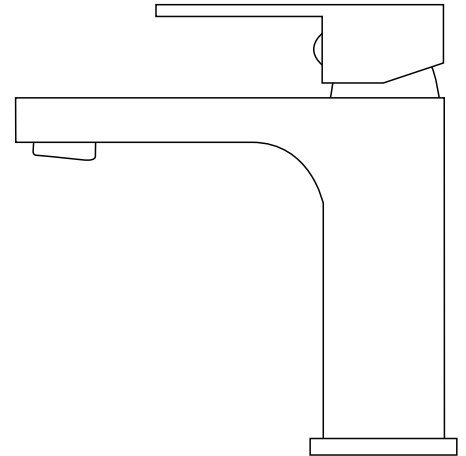




FORENO.

Muro Basin Mixer MUR020



9 421027 594265

Congratulations on your purchase of this high quality product from Foreno Tapware.
Please read the following before installation and retain (along with your receipt) for future reference.

TECHNICAL SPECIFICATIONS

Suitable for All Pressures

Minimum Pressure = 35kPa

Maximum operating Pressure = 500kPa

Maximum operating Temperature = 65 deg. Celsius

For domestic use only.

CONFIGURATION

Mains Pressure systems Remove water saving restrictor from the nut of the cold flexi-hose. Change aerator to mains pressure one supplied (included in the fittings pack).

Unequal Low Systems Install as supplied.

Equal Low systems Remove water saving restrictor from the nut of the cold flexi-hose.

INSTALLATION

For pressures exceeding 500kPa install a pressure reducing valve. Failure to do so may void the warranty.

- Position tap in 35mm hole, making sure the seal between tap and supporting surface is in place.
- Anchor to bench with fittings pack. NB: Foreno tube socket tools are available (part FORPT58).
- Thoroughly flush all pipes to eliminate any remaining dirt and residue and install inline filters.
- Connect supply hoses to plumbing connections. **NB: Maximum bend for flexible hose is 35mm radius. Do not stretch, crush or twist hoses. Do not swage hose ends.**
- Turn on water supply. Check for leaks.

Plumber: Do not pressure test this mixer under static pressure.

ATTACH PROOF OF PURCHASE HERE

WARRANTY

Please refer to our website for warranty information: www.foreno.co.nz/warranty

In the unlikely event that this product fails during its warranty period, phone our Customer Service team immediately on 0508 FORENO (0508 367 366) – as unauthorised removal of the product may void the warranty.

CARE AND MAINTENANCE

Chrome-plated finishes should not be cleaned with astringent, abrasive or citric cleaners. A soft, damp cloth is recommended for cleaning. Mild soap solutions can also be used on occasion.

PROUD PARTNER AND SUPPORTER OF MASTER PLUMBERS, GASFITTERS AND DRAINLAYERS

