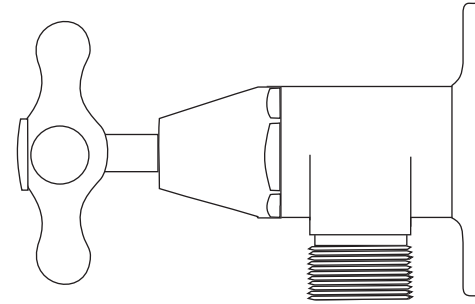




FORENO.

NEOCLASSIC Cistern Tap Chrome NAS2



Congratulations on your purchase of this high quality product from Foreno Tapware.
Please read the following before installation and retain (along with your receipt) for future reference.

TECHNICAL SPECIFICATIONS

Suitable for All Pressures

Minimum Pressure = 17kPa

Maximum operating Pressure = 500kPa

Maximum operating Temperature = 65 deg. Celsius

For domestic use only.

CONFIGURATION

Mains Pressure systems Install as supplied.

Unequal Low Systems Install as supplied.

Equal Low systems Install as supplied.

INSTALLATION

FOR PRESSURES EXCEEDING 500KPA INSTALL A PRESSURE REDUCING VALVE. THOROUGHLY FLUSH ALL PIPES TO ELIMINATE ANY REMAINING DIRT AND RESIDUE AND INSTALL INLINE FILTERS. FAILURE TO DO SO MAY VOID THE WARRANTY.

- Cut ½” screwed tube to allow for a minimum 10mm wall protrusion and install. NB: It is essential to apply either Teflon tape or graphite & hemp around the screwed tube prior to installation.
- Turn on water supply. Check for leaks.

WARRANTY

Please refer to our website for warranty information: www.foreno.co.nz/warranty

In the unlikely event that this product fails during its warranty period, phone our Customer Service team immediately on 0508 FORENO (0508 367 366) – as unauthorised removal of the product may void the warranty.

ATTACH PROOF OF PURCHASE HERE

CARE AND MAINTENANCE

SHOULD NOT BE CLEANED WITH ASTRINGENT, ABRASIVE OR CITRIC CLEANERS.

A soft, damp cloth is recommended for cleaning. Mild soap solutions can also be used on occasion.

PROUD PARTNER AND SUPPORTER OF MASTER PLUMBERS, GASFITTERS AND DRAINLAYERS

