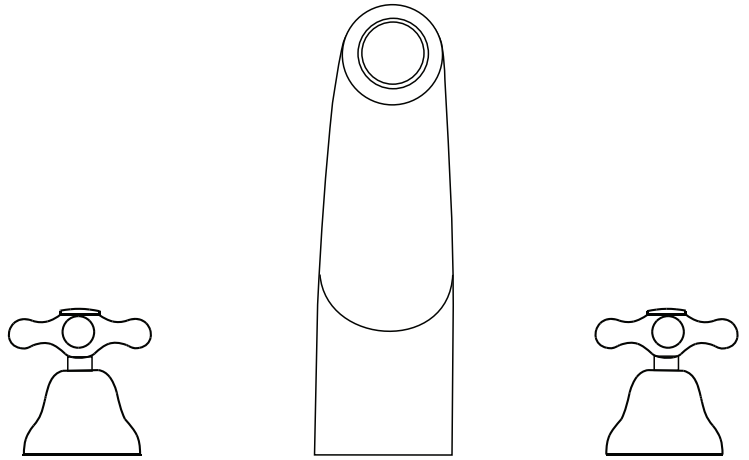




Neoclassic Bath Faucet NBF6



Congratulations on your purchase of this high quality product from Foreno Tapware.
Please read the following before installation and retain (along with your receipt) for future reference.

TECHNICAL SPECIFICATIONS

Suitable for All Pressures

Minimum Pressure = 17kPa

Maximum operating Pressure = 500kPa

Maximum operating Temperature = 65 deg. Celsius

For domestic use only.

CONFIGURATION

Mains Pressure systems Install as supplied.

Unequal Low Systems Install as supplied.

Equal Low systems Install as supplied.

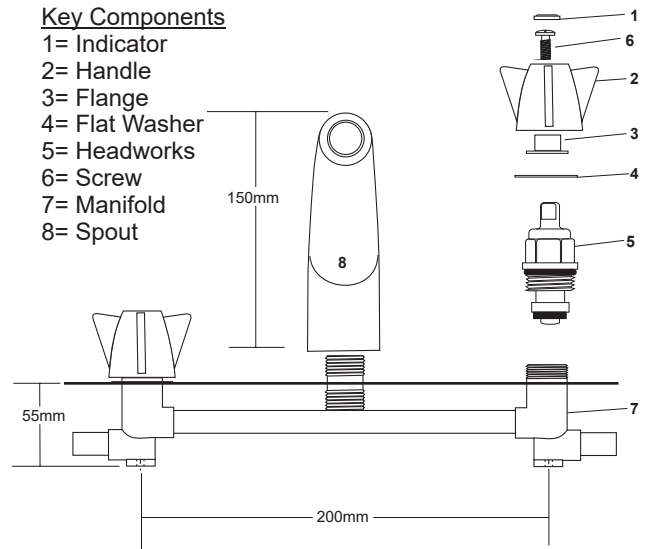
INSTALLATION

For pressures exceeding 500kPa install a pressure reducing valve. Failure to do so may void the warranty.

- Cut 30mm holes for each tap body and 24mm hole for the spout spigot.
- Simply remove handles (items 1, 2 & 6) and flanges (item 3 & 4), fit manifold to wall recess, ensuring all three brackets are secured (i.e. tap bodies & spout tee).
- Connect inlets to plumbing with either crox or compression fittings. NB: Do not braze inlet/outlet joints. Under no circumstances the inlet and/or outlet joints be welded.
- Once wall lining is installed, cut ½” screwed tube to length, allowing for a minimum 10mm thread protrusion.
- Fit spout, mount flat washers, flanges and handles (items 8, 4, 3 & 2).
- Tighten on indicator retaining nuts (item 1 & 6). NB: Allow minimum 17mm body thread protrusion for the chrome collar trim.
- Turn on water supply. Check for leaks.

Key Components

- 1= Indicator
- 2= Handle
- 3= Flange
- 4= Flat Washer
- 5= Headworks
- 6= Screw
- 7= Manifold
- 8= Spout



ATTACH PROOF OF PURCHASE HERE

WARRANTY

Please refer to our website for warranty information: www.foreno.co.nz/warranty

In the unlikely event that this product fails during its warranty period, phone our Customer Service team immediately on 0508 FORENO (0508 367 366) – as unauthorised removal of the product may void the warranty.

CARE AND MAINTENANCE

Chrome-plated finishes should not be cleaned with astringent, abrasive or citric cleaners. A soft, damp cloth is recommended for cleaning. Mild soap solutions can also be used on occasion.

PROUD PARTNER AND SUPPORTER OF MASTER PLUMBERS, GASFITTERS AND DRAINLAYERS

