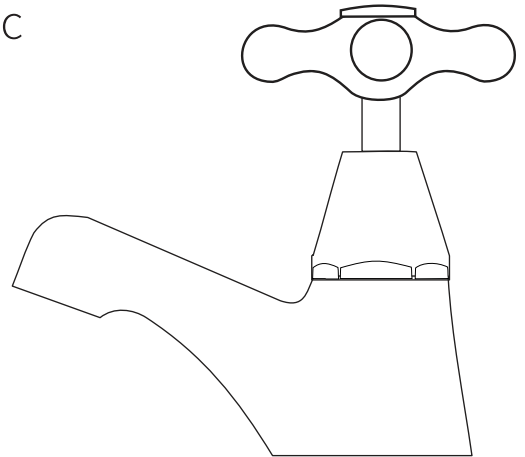




# FORENO.

## NEOCLASSIC Basin Taps (Pair) H-T Ceramic Chrome NBT1HT



Congratulations on your purchase of this high quality product from Foreno Tapware. Please read the following before installation and retain (along with your receipt) for future reference.

### TECHNICAL SPECIFICATIONS

#### Suitable for All Pressures

Minimum Pressure = 17kPa

Maximum operating Pressure = 500kPa

Maximum operating Temperature = 65 deg. Celsius

For domestic use only.

### CONFIGURATION

Mains Pressure systems Insert the valve from the mains pressure pack.

Unequal Low Systems Install as supplied.

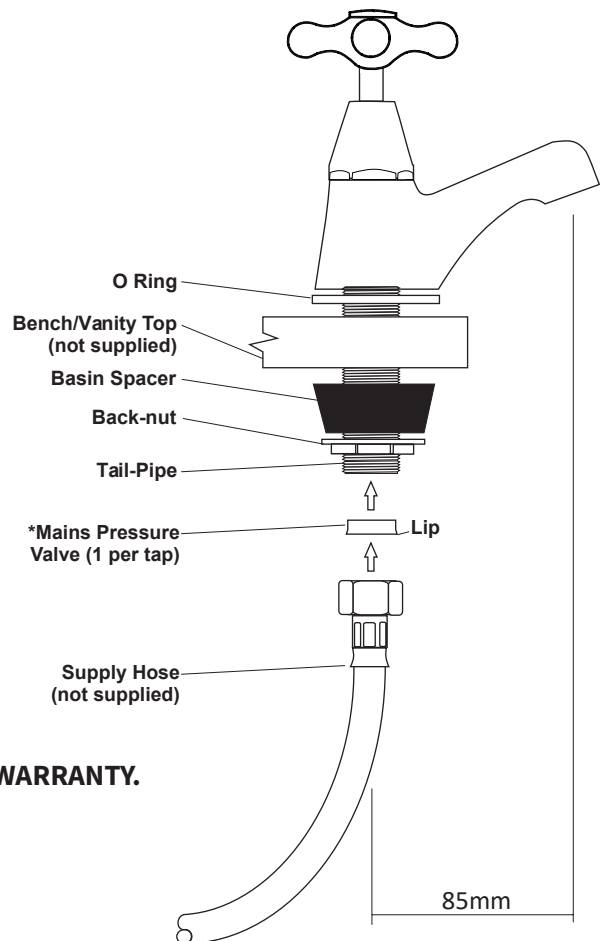
Equal Low systems Install as supplied.

### INSTALLATION

**FOR PRESSURES EXCEEDING 500KPA INSTALL A PRESSURE REDUCING VALVE. THOROUGHLY FLUSH ALL PIPES TO ELIMINATE ANY REMAINING DIRT AND RESIDUE AND INSTALL INLINE FILTERS. FAILURE TO DO SO MAY VOID THE WARRANTY.**

Drill a minimum 25mm hole within the vanity top.

- Remove back-nut and basin spacer.
- Mount tap with o-ring in base groove.
- Fit basin spacer underneath and tighten on back-nut.
- Connect to plumbing.
- Turn on water supply. Check for leaks.



ATTACH PROOF OF PURCHASE HERE

#### WARRANTY

Please refer to our website for warranty information: [www.foreno.co.nz/warranty](http://www.foreno.co.nz/warranty)

In the unlikely event that this product fails during its warranty period, phone our Customer Service team immediately on 0508 FORENO (0508 367 366) – as unauthorised removal of the product may void the warranty.

#### CARE AND MAINTENANCE

**SHOULD NOT BE CLEANED WITH ASTRINGENT, ABRASIVE OR CITRIC CLEANERS.**

A soft, damp cloth is recommended for cleaning. Mild soap solutions can also be used on occasion.

PROUD PARTNER AND SUPPORTER OF MASTER PLUMBERS, GASFITTERS AND DRAINLAYERS

