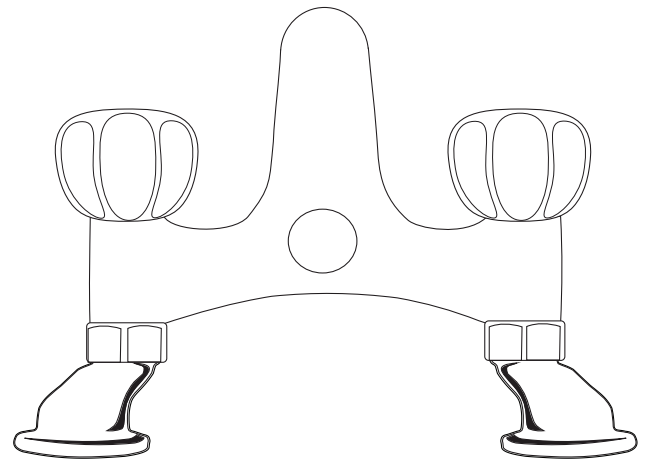




Primus 15mm Diverter Bath Mixer with Shower Duplex PBF5



Congratulations on your purchase of this high quality product from Foreno Tapware.
Please read the following before installation and retain (along with your receipt) for future reference.

TECHNICAL SPECIFICATIONS

Suitable for All Pressures

Minimum Pressure = 35kPa

Maximum operating Pressure = 500kPa

Maximum operating Temperature = 65 deg. Celsius

For domestic use only.

CONFIGURATION

Mains Pressure systems Add the flow regulator between the hose and the handpiece as shown in the diagram. This will

comply with the WELs rating on the box for mains pressure. Remove the valve from the cold offset side.

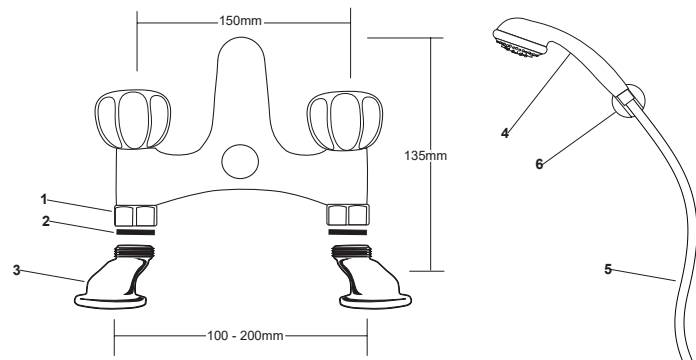
Unequal Low Systems The offset containing the regulator valve should be installed on the cold supply. Discard the WELs flow regulator or save for future use if upgrading to a mains pressure system.

Equal Low systems Remove the valve from the cold offset side. Discard the WELs flow regulator or save for future use if upgrading to a mains pressure system.

INSTALLATION

For pressures exceeding 500kPa install a pressure reducing valve. Failure to do so may void the warranty.

- Once the bridging nipple has been cut to length and fitted to the in-wall wing-backs, wind thread tape around the protruding spigot until the thread pitch is barely raised.
- Screw on offsets (see diagram, item 3) and adjust width to match the faucet body back-nuts (item 1).
- Fit mounting washers (item 2) to the faucet body back-nuts (item 1) and tighten back-nuts on to offsets. NB: Do not over-tighten, no thread tape is required.



Key Components

- | | |
|---------------------|--------------------|
| 1 = Back-nut | 4 = Shower Handset |
| 2 = Mounting washer | 5 = Shower Hose |
| 3 = Offset | 6 = Wall Hook |

ATTACH PROOF OF PURCHASE HERE

- Turn on water supply. Check for leaks.

WARRANTY

Please refer to our website for warranty information: www.foreno.co.nz/warranty

In the unlikely event that this product fails during its warranty period, phone our Customer Service team immediately on 0508 FORENO (0508 367 366) – as unauthorised removal of the product may void the warranty.

CARE AND MAINTENANCE

Chrome-plated finishes should not be cleaned with astringent, abrasive or citric cleaners.

A soft, damp cloth is recommended for cleaning. Mild soap solutions can also be used on occasion.

PROUD PARTNER AND SUPPORTER OF MASTER PLUMBERS, GASFITTERS AND DRAINLAYERS

