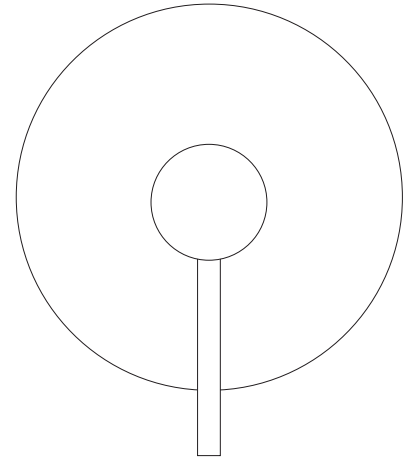




FORENO.

Purity Minimal Stainless Steel Shower Mixer PUR031



9 421027 594401

Congratulations on your purchase of this high quality product from Foreno Tapware.
Please read the following before installation and retain (along with your receipt) for future reference.

TECHNICAL SPECIFICATIONS

Suitable for Mains Pressure only

Minimum Pressure = 150kPa

Maximum operating Pressure = 500kPa

Maximum operating Temperature = 65 deg. Celsius

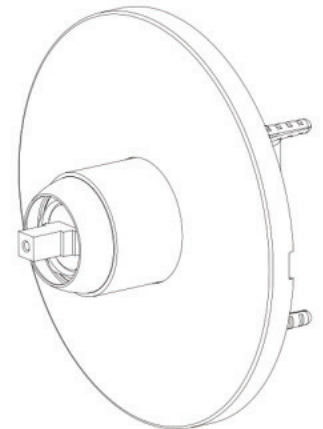
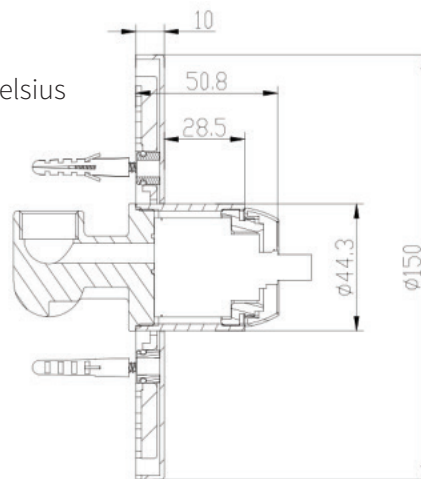
For domestic use only.

CONFIGURATION

Mains Pressure systems Install as supplied.

Unequal Low Systems Not suitable.

Equal Low systems Not suitable.



INSTALLATION

For pressures exceeding 500kPa install a pressure reducing valve. Failure to do so may void the warranty.

- Connect the mixer body to internal pipe inlets and outlet.
- Align mixer depth from wall outer face to the pipe centres. It should be between 32mm and 52mm.
- Mark the wall lining mixer position and cut a 70mm diameter hole for the protection cover.
- Position the wall lining, and screw protection cover to the mixer lever spindle.
- Use the plastic inner faceplate to position the mounting holes positions. Check for central mounting with mixer body. Ensure the position of the draining slot on the plate rim is vertical and at the bottom/lowest side.
- Drill 5mm diameter holes for the mounting plugs and fit into place.
- Tile the lining as required up to the protection flange. Take care not to cover the mounting plugs.
- When dry, remove protection cover.
- Using an approved sealant, add to the plastic inner faceplate cavity ring, around screws and screw into place.
- Matching the drain slot, fit the stainless steel outer plate by pushing its sealed spigots into the mating holes. NB: An approved sealant may be required if wall surface is uneven. Do not block the drain slots.

ATTACH PROOF OF PURCHASE HERE

- Shower mixers must be water tested with the outlet open, to prevent damage to cartridge seals due to back pressure. Any water seepage from the cartridge cavity opening can be stopped by re-tightening the large brass retaining nut.
- Turn on water supply. Check for leaks.

Plumbers Note: Do not pressure test this mixer under static pressure.

WARRANTY

Please refer to our website for warranty information: www.foreno.co.nz/warranty

In the unlikely event that this product fails during its warranty period, phone our Customer Service team immediately on 0508 FORENO (0508 367 366) – as unauthorised removal of the product may void the warranty.

CARE AND MAINTENANCE

Chrome-plated finishes should not be cleaned with astringent, abrasive or citric cleaners. A soft, damp cloth is recommended for cleaning. Mild soap solutions can also be used on occasion.

PROUD PARTNER AND SUPPORTER OF MASTER PLUMBERS, GASFITTERS AND DRAINLAYERS

