

# FORENO.

TAPWARE MADE FOR NEW ZEALAND since 1969

## REEF

### 1 Function Slide Shower

#### REF61R

Congratulations on your purchase of this high quality product from Foreno Tapware. Please read the following before installation and retain (along with your receipt) for future reference.

#### TECHNICAL SPECIFICATIONS

##### Suitable for All Pressures

Minimum Pressure = 35kPa

Maximum operating Pressure = 500kPa\* (As per NZ Building Code AS/NZ 3500.1)

Maximum operating Temperature = 65 deg. Celsius

For domestic use only.

#### CONFIGURATION

Mains Pressure systems Install the flow regulator as shown in the diagram below.

Unequal Low Systems Install as supplied.

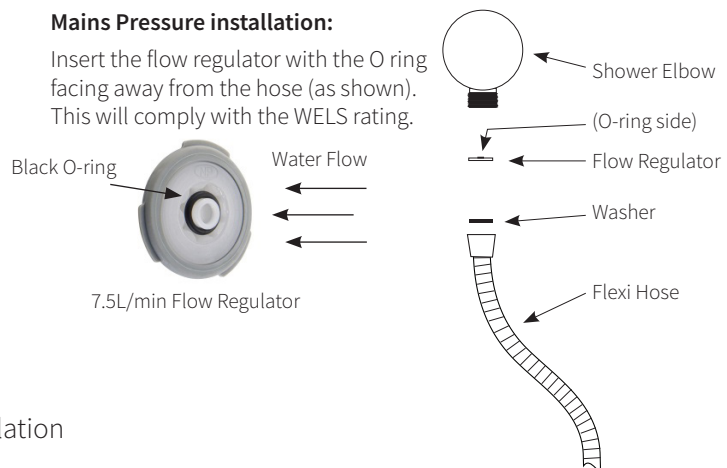
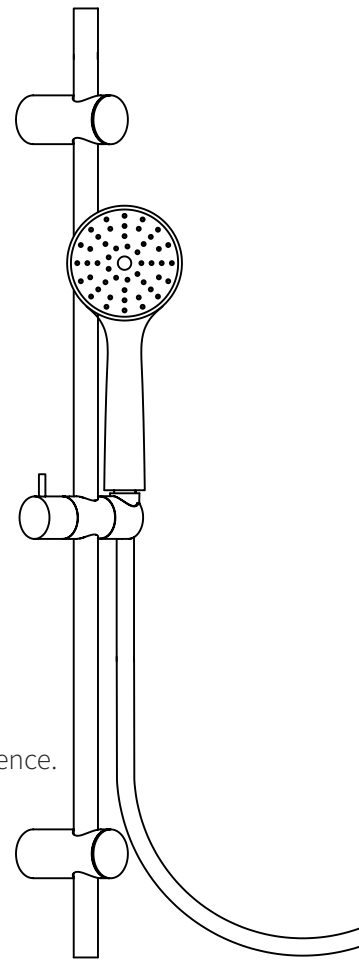
Equal Low systems Install as supplied.

#### CONTENTS

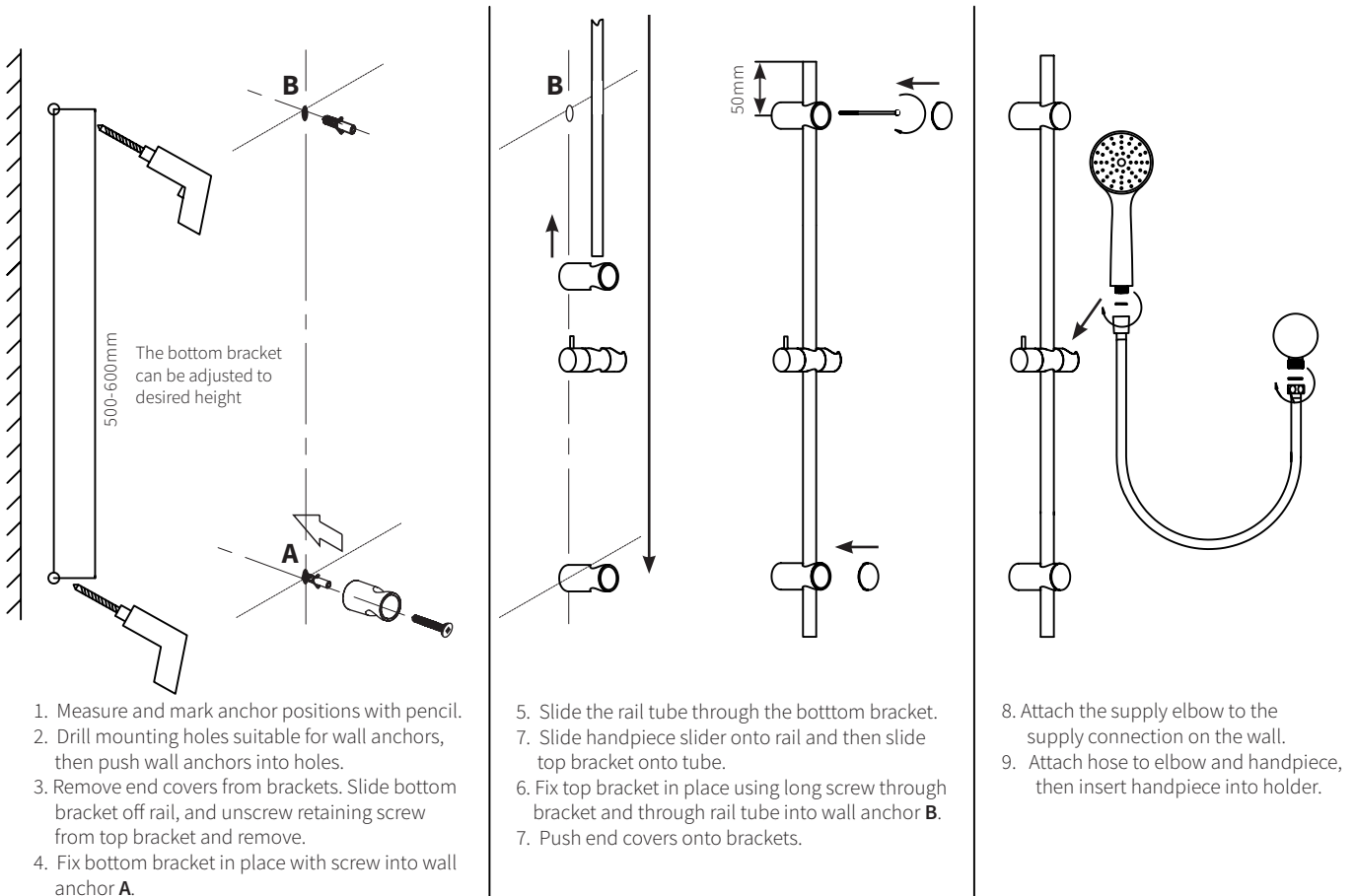
- Wall brackets and covers
- Fixing kit (wall anchors & screws)
- Silde Rail with adjuster/holder
- 1.5m supply hose
- Supply elbow
- Shower handpiece
- Flow regulator for Mains Pressure installation

#### INSTALLATION

**\*FOR PRESSURES EXCEEDING 500kPa INSTALL A PRESSURE REDUCING VALVE. THOROUGHLY FLUSH ALL PIPES TO ELIMINATE ANY REMAINING DIRT AND RESIDUE, AND INSTALL INLINE FILTERS. FAILURE TO DO SO MAY VOID THE WARRANTY.**



ATTACH PROOF OF PURCHASE HERE



## WARRANTY

**PLEASE CALL US BEFORE REMOVING OR UNDERTAKING ANY REPAIR WORK.**

Please refer to our website for warranty information: [www.foreno.co.nz/warranty](http://www.foreno.co.nz/warranty)

In the unlikely event that this product fails during its warranty period, phone our Customer Service team immediately on 0508 FORENO (0508 367 366) – as unauthorised removal of the product may void the warranty.

## CARE AND MAINTENANCE

**SHOULD NOT BE CLEANED WITH ACIDIC, CAUSTIC/ALKALINE, ABRASIVE OR CITRIC CLEANERS.**

A soft, damp cloth is recommended for cleaning (Not a Micro fibre cloth). Mild soap solutions can also be used on occasion. See website for full care instructions: [www.foreno.co.nz/tapware-care-instructions/](http://www.foreno.co.nz/tapware-care-instructions/)