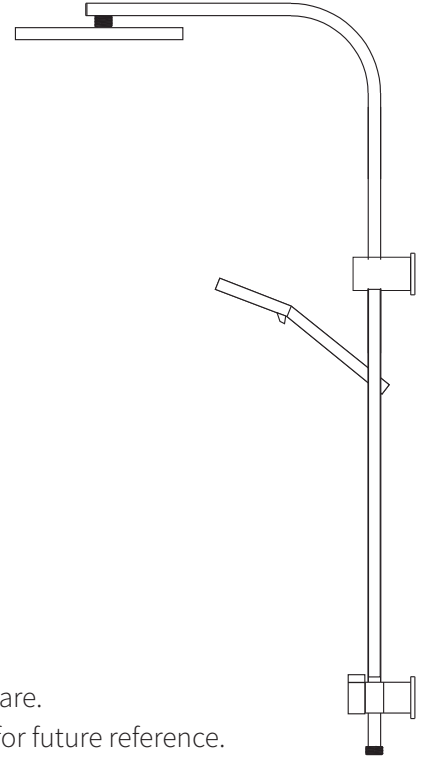


FORENO.

TAPWARE MADE FOR NEW ZEALAND since 1969



BLACK EDITION

Double Head Slide Shower (Square)

Matte Black **SBK041**

Congratulations on your purchase of this high quality product from Foreno Tapware. Please read the following before installation and retain (along with your receipt) for future reference.

TECHNICAL SPECIFICATIONS

Suitable for Mains Pressure only

Minimum Pressure = 150kPa

Maximum operating Pressure = 500kPa* (As per NZ Building Code AS/NZ 3500.1)

Maximum operating Temperature = 65 deg. Celsius

For domestic use only.

CONFIGURATION

Mains Pressure systems Install as supplied.

Unequal Low Systems Not suitable.

Equal Low systems Not suitable.

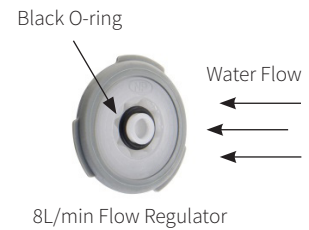
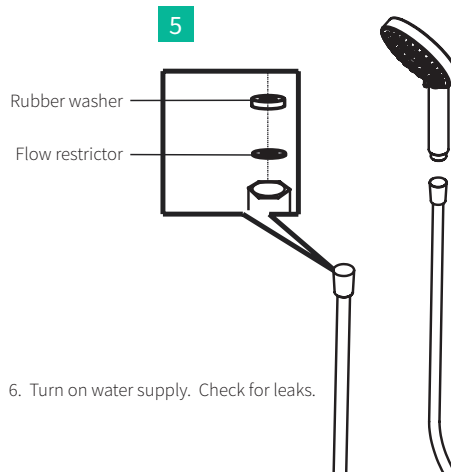
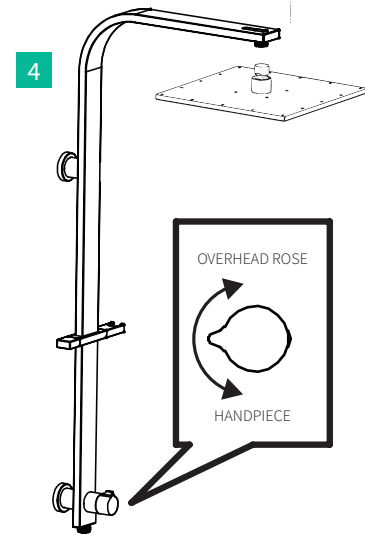
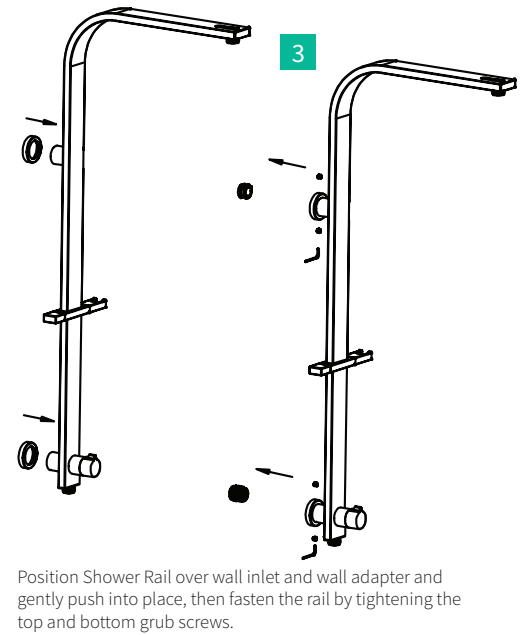
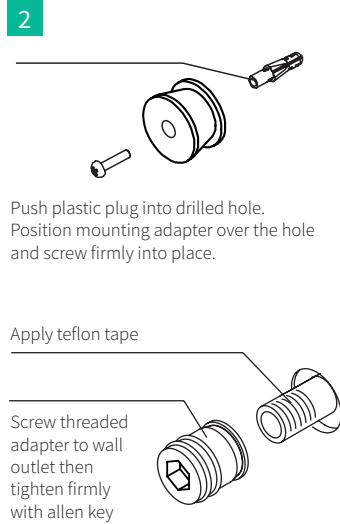
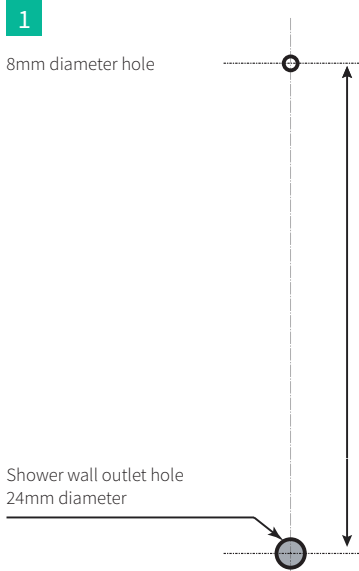
INSTALLATION

***FOR PRESSURES EXCEEDING 500kPa INSTALL A PRESSURE REDUCING VALVE. THOROUGHLY FLUSH ALL PIPES TO ELIMINATE ANY REMAINING DIRT AND RESIDUE, AND INSTALL INLINE FILTERS. FAILURE TO DO SO MAY VOID THE WARRANTY.**

CAUTION: IF USING YOUR OWN SCREWS TO INSTALL THE WALL BRACKETS, DO NOT USE COUNTER SUNK TYPE SCREWS, AS THIS WILL VOID THE WARRANTY.

- Refer installation diagram, overleaf. This shower has a WELs certified flow regulator fitted between the shower hose and the rail connection (see diagram 5). If you want a greater flow, remove this disc but note that this will not give a WELs 3-star water rating.

ATTACH PROOF OF PURCHASE HERE



**Ensure the flow regulator is fitted with the O-ring facing away from the hose (as shown), between Shower connection and Hose. This will comply with the WELS rating.

Do NOT fit between handpiece and hose as this can overpressurise the hose and cause premature failure of the shower hose.

WARRANTY

PLEASE CALL US BEFORE REMOVING TAPWARE OR UNDERTAKING ANY REPAIR WORK.

Please refer to our website for warranty information: www.foreno.co.nz/warranty

In the unlikely event that this product fails during its warranty period, phone our Customer Service team immediately on 0508 FORENO (0508 367 366) – as unauthorised removal of the product may void the warranty.

CARE AND MAINTENANCE

SHOULD NOT BE CLEANED WITH ACIDIC, CAUSTIC/ALKALINE, ABRASIVE OR CITRIC CLEANERS.

A soft, damp cloth is recommended for cleaning (Not a Micro fibre cloth). Mild soap solutions can also be used on occasion.

PROUD PARTNER AND SUPPORTER OF MASTER PLUMBERS, GASFITTERS AND DRAINLAYERS

