

FORENO.

TAPWARE MADE FOR NEW ZEALAND since 1969

SOLITAIRE

Wetrail Slide Shower

Chrome **SLT040**

Congratulations on your purchase of this high quality product from Foreno Tapware.
Please read the following before installation and retain (along with your receipt) for future reference.

TECHNICAL SPECIFICATIONS

Suitable for All Pressures

Minimum Pressure = 35kPa

Maximum operating Pressure = 500kPa* (As per NZ Building Code AS/NZ 3500.1)

Maximum operating Temperature = 65 deg. Celsius

For domestic use only.

CONFIGURATION

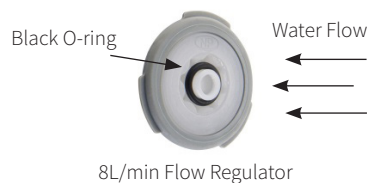
Mains Pressure systems Install the flow regulator as shown in the diagram below.

Unequal Low Systems Install as supplied.

Equal Low systems Install as supplied.

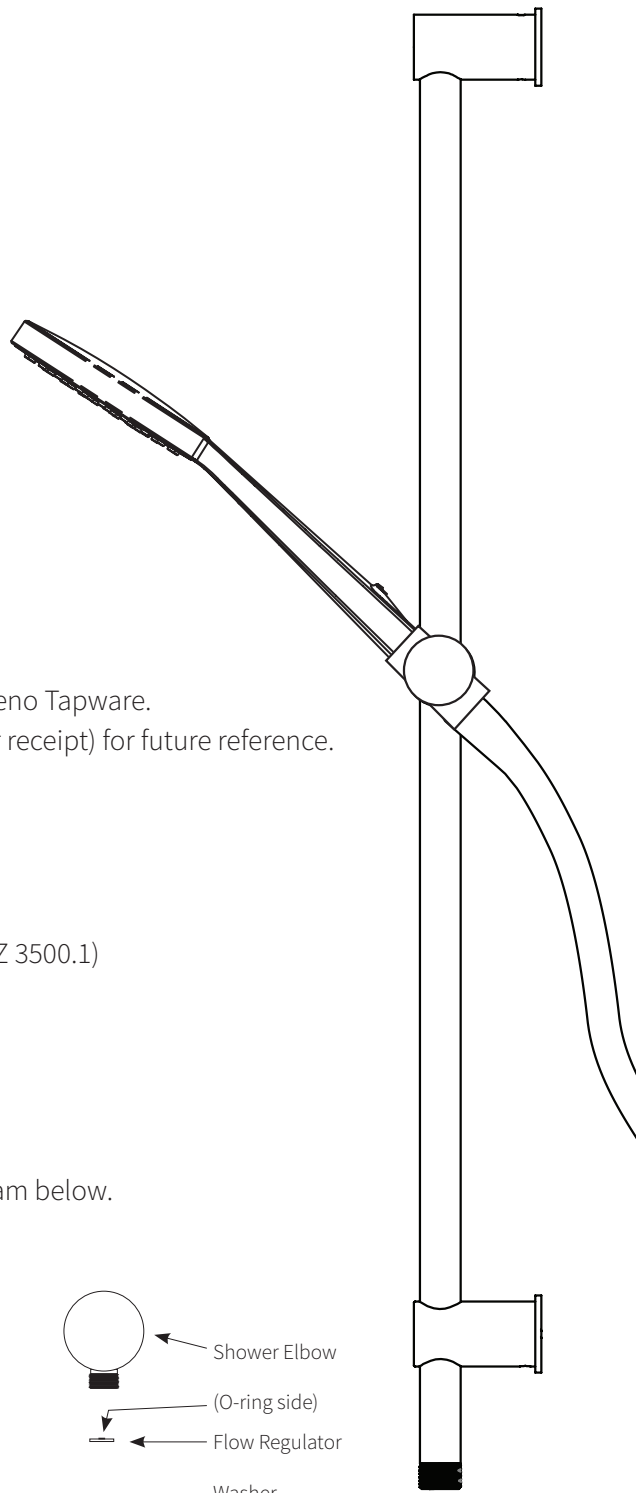
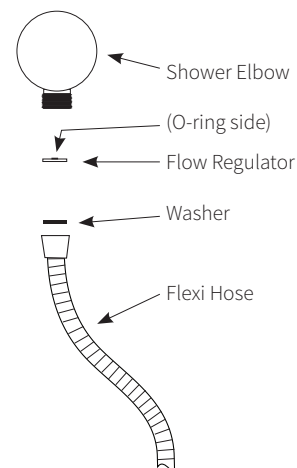
CONTENTS

- Rail set
- 1.5m flexi-hose
- Handset
- Chrome cover plug
- Wall bracket insert
- Wall flange
- Fixing screws
- Flow Regulator
- Allen key



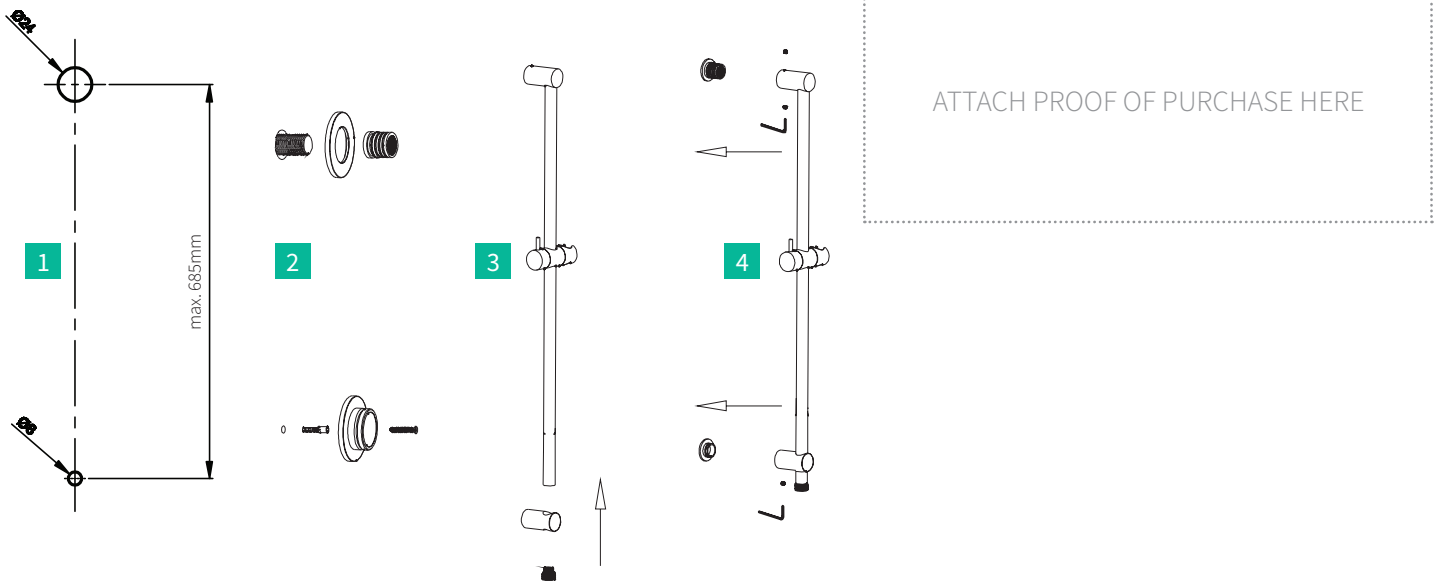
Mains Pressure installation only:

Insert the flow regulator with the O ring facing away from the hose (as shown).
This will comply with the WELS rating.



INSTALLATION

***FOR PRESSURES EXCEEDING 500kPa INSTALL A PRESSURE REDUCING VALVE. THOROUGHLY FLUSH ALL PIPES TO ELIMINATE ANY REMAINING DIRT AND RESIDUE, AND INSTALL INLINE FILTERS. FAILURE TO DO SO MAY VOID THE WARRANTY.**



WET RAIL CONFIGURATION (AS ABOVE):

- Remove rail set from pack, detach threaded rail end using an Allen key, detach bottom bracket.
- Re-fit bracket and threaded rail end.
- Remove the threaded brass connection piece from top bracket and screw it to the wall outlet. Fit wall disc.
- Remove the brass wall bracket insert from the bottom bracket and fit it to the wall using a screw.
- Slide rail set onto both top and bottom brackets, secure it with the screws and Allen key.
- Fit hose and handset
- Turn on mains supply and check for leaks.

STANDARD CONFIGURATION:

- Remove threaded rail end from the rail using an Allen key and fit the cover plug.
- Detach bottom bracket, and re-fit the bracket.
- Remove the threaded brass connection piece from top bracket. Utilise the additional brass wall bracket insert instead.
- Remove the brass wall bracket insert from the bottom bracket, fit both brass inserts to the wall using screws.
- Slide rail set onto both top and bottom brackets, secure it with screws and Allen key.
- Utilise the supply elbow provided.

WARRANTY

PLEASE CALL US BEFORE REMOVING OR UNDERTAKING ANY REPAIR WORK.

Please refer to our website for warranty information: www.foreno.co.nz/warranty

In the unlikely event that this product fails during its warranty period, phone our Customer Service team immediately on 0508 FORENO (0508 367 366) – as unauthorised removal of the product may void the warranty.

CARE AND MAINTENANCE

SHOULD NOT BE CLEANED WITH ACIDIC, CAUSTIC/ALKALINE, ABRASIVE OR CITRIC CLEANERS.

A soft, damp cloth is recommended for cleaning (Not a Micro fibre cloth). Mild soap solutions can also be used on occasion.

PROUD PARTNER AND SUPPORTER OF MASTER PLUMBERS, GASFITTERS AND DRAINLAYERS

